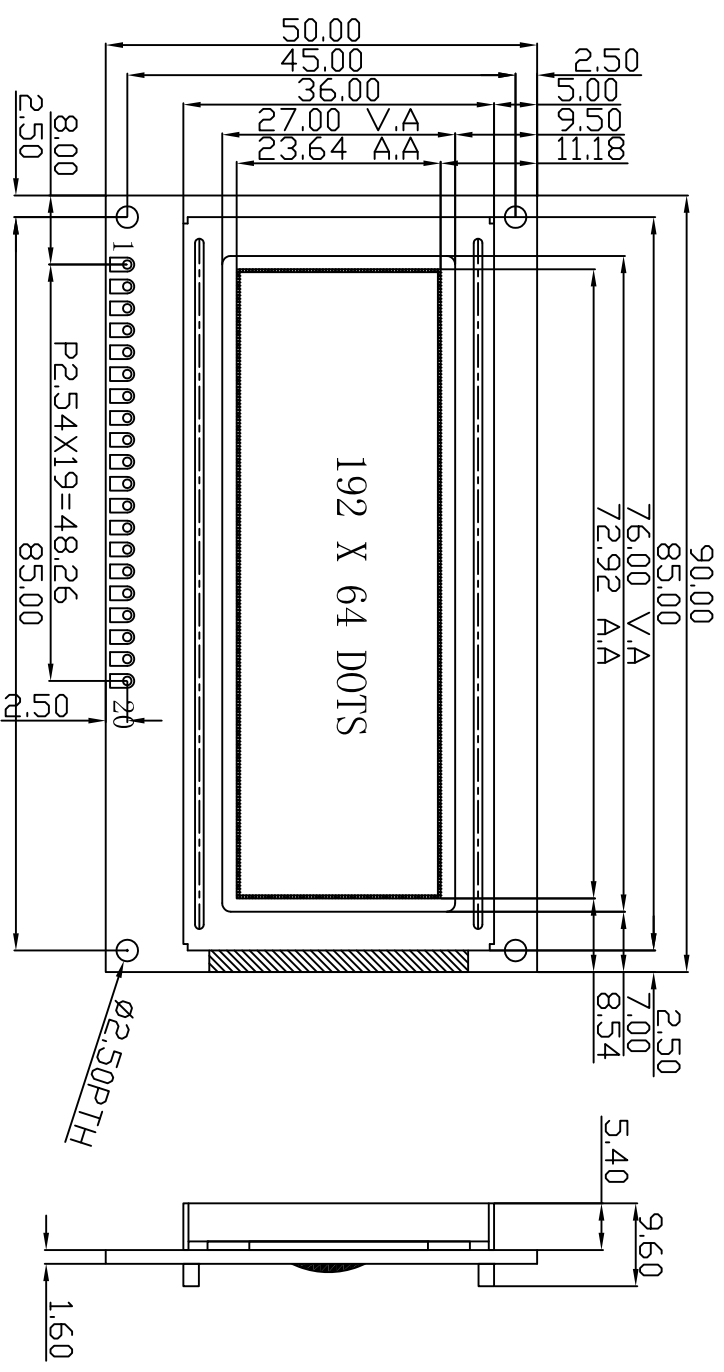
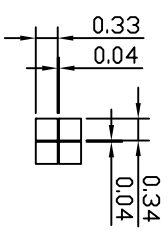


| REV | DATE | DESCRIPTION | DESIGNED | CHECK | APPROVED |
|-----|------|-------------|----------|-------|----------|
| | | | | | |
| | | | | | |
| | | | | | |



| PIN NO. | 1 | 2 | 3 | 4 | 5 | 6 | 7 | 8 | 9 | 10 |
|---------|-----|-----|-----|-----|----|----|-------|-----|------|------|
| SYMBOL | CSA | CSB | VSS | VDD | V0 | RS | R/W | E | D 0 | D 1 |
| PIN NO. | 11 | 12 | 13 | 14 | 15 | 16 | 17 | 18 | 19 | 20 |
| SYMBOL | D 2 | D 3 | D 4 | D 5 | D6 | D7 | VOU'T | RST | LBD+ | LBD- |

| CSA | CSB | AREA |
|-----|-----|--------|
| 0 | 0 | LEFT |
| 0 | 1 | MIDDLE |
| 1 | 0 | RIGHT |



NOTE:

1. DISPLAY MODE: STN-BLUE, NEGATIVE/TRANSMISSIVE
2. VIEWING DIRECTION: 6:00
3. OPERATION TEMP: -20° C - +70° C
4. STORAGE TEMP: -30° C - +80° C
5. DRIVE METHOD: 1/64DUTY, 1/9BIAS
6. VDD=5.0V, ILED=90mA (@VLED=5.0V), COLOR: WHITE